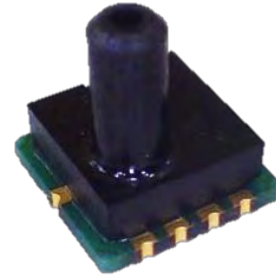


Digital output gage pressure sensor

MMR902A##A



Outline

This product is digitally outputs a pressure value which was corrected in the module. Customers need no correction because it corrects and outputs the differences of sensors and temperature characteristics. It does not require complicated sensor drive or control circuit, and devices with high performance can be made only with this module and an external microcontroller which will be the host.

Applications

Blood pressure monitor for home appliance
Devices using air pressure

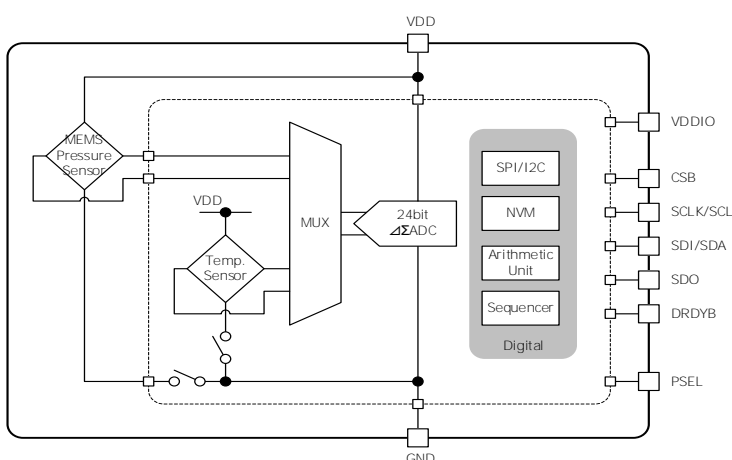
Features

- ① Small package 7.0(W) × 7.0(D) × 7.2(H)mm
- ② A high-accuracy pressure value can be output
Pressure resolution : 0.001mmHg
Pressure effective resolution : 0.020mmHgRMS
Pressure accuracy : ±2.0mmHg (±266Pa)
- ③ It corrects the differences of sensors and temperature characteristics when shipped from our factory
- ④ It digitally outputs pressure value by a built-in sequencer (SPI,I2C)

Specification

ITEM	SPECIFICATION
Pressure Type	Gage Pressure
Pressure Medium	Air (no Condensation)
Operating Pressure Range	-4~47.99kPa(-30~360mmHg)
Operating Temperature Range	0 ~ 60°C
Supply Voltage Range	1.7 ~ 3.6V
Conversion Time	3.91 / 7.81 / 15.625 / 250ms
Current Consumption	650uA
Current Consumption at Shutdown	0.1uA Max
Pressure accuracy	±266Pa(±2.0mmHg)
Pressure effective resolution	0.040 / 0.028 / 0.020 / 0.005 mmHgRMS
Interface	SPI / I2C
Size	7.0(W) × 7.0(D) × 7.2(H)mm

Block Diagram



Typical Performance Characteristics

It outputs a pressure value which was corrected the differences of sensors and temperature characteristics

